

# MMCX Connector EMS03, EMS02

www.gigalane.com



GigaLane MMCX Connectors are intended for use in applications where the smallest dimensions are required. These connectors operate up to 6 GHz and are optimum for wireless communication systems such as cellular, wireless and PCS. MMCX provides a low RF-leakage by its non-slotted outer contract.

## ► Specification

### Electrical

Frequency	DC to 6 GHz
Impedance	50 Ω
VSWR	1.3 : 1 to 6 GHz
Insulation Resistance	1000 MΩ
Dielectric Withstand Voltage	250 Vrms Max
Contact Resistance - Outer Conductor - Inner Conductor	2mm Ω max 6mm Ω max
RF Leakage	> 50 dB @ 3 GHz
Power Handling	50W (@2 GHz)

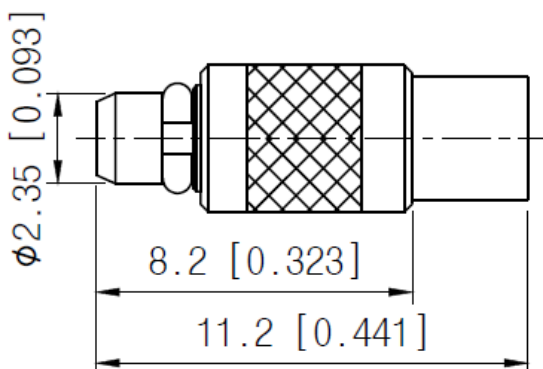
### Environmental

Temperature	- 40°C to + 125°C
Thermal Shock	CECC22220 4.6.7
Corrosion (salt Spray)	CECC22220 4.6.10
Vibration	CECC22220 4.6.3
Moisture Resistance	CECC22220 4.6.4

### Materials

Body	Brass/Beryllium Copper (Gold Plated)
Center Contact	Brass/Beryllium Copper (Gold Plated)
Insulator	PTFE

## ► Drawing



Unit : mm [inch]

Cable	Part No.
047	EMS03
085	EMS02